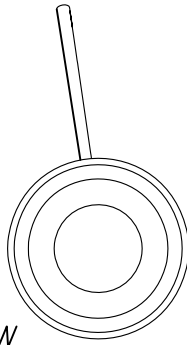
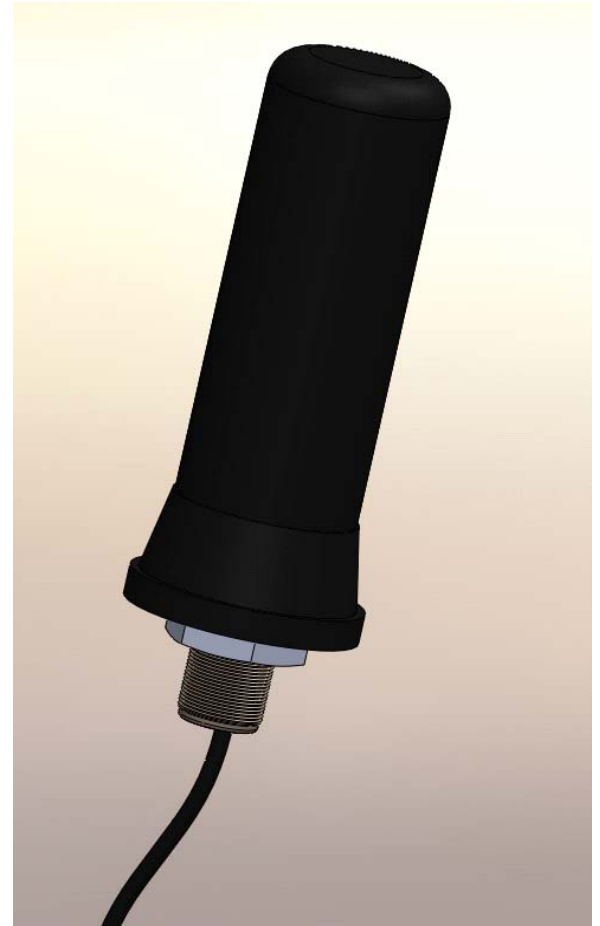
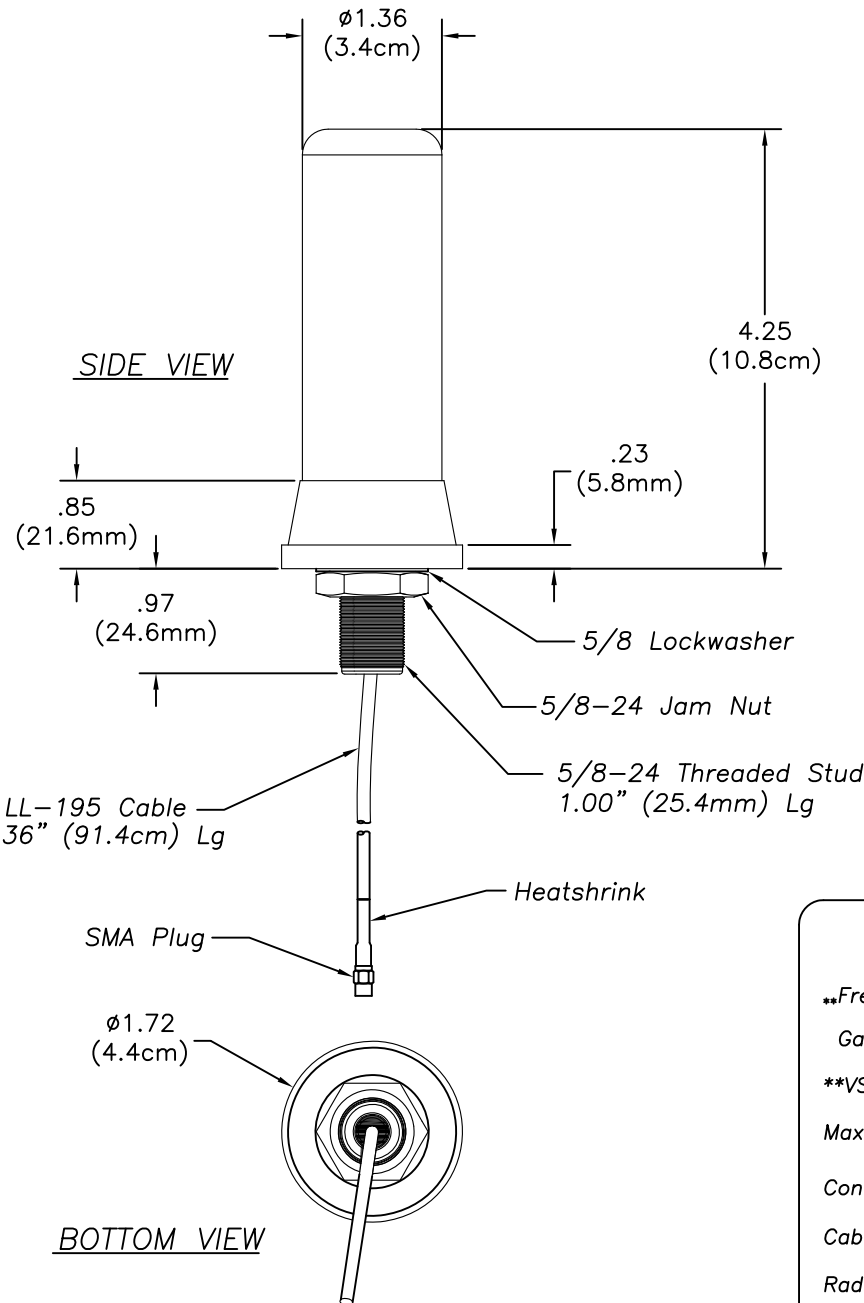


A46450BNT

Stud Mount Antenna with Pigtail 450-512 MHz



TOP VIEW



Antenna Specifications

Frequency: 450-512 MHz

Gain: 3 dBi minimum

VSWR: < 2:1

Maximum Power: 50 Watts

Connectors/Interface: SMA Plug w/Pigtail

Cable: 36" (91.4cm), LL-195 Coax Cable

Radome Material: ASA (UL 94, IEC60707)

Impedance: 50 OHM Nominal

Mounting: 3/4" (19.05mm) Dia. Feed through.
1.4" lg (3.5cm). thread for up to
1" (2.54cm) thick surface

Operating Temperature: -40° to +80° C

** Gain and VSWR measured with 2 ft cable on 1 ft Ground Plane TC 4/3/18 A

MobileMark

antenna solutions

US OFFICE & HEADQUARTERS: 1140 W THORNDALE AVE, ITASCA, IL 60143
TEL: (847) 671-6690 * FAX (847) 250-5120

UK OFFICE: 8 MIRAS BUS PARK, KEYS PARK ROAD, HEDNESFORD WS12 2FS, UK,
UK TEL: (+44) 1543-459555 FAX (+44) 1543-459545

VISIT OUR WEBSITE AT WWW.MOBILEMARK.COM

